

PKC GROUP 

MICROPIN CONNECTION SYSTEMS



www.pkcgroup.com



CATALOG INDEX

2-way Female Connector	5
2-way Male Connector	6
3-way Female Connector	7
3-way Male Connector	8
4-way Female Connector	9
4-way Male Connector	10
8-way Female Connector	11
8-way Male Connector	12
12-way Hybrid Female Connector	13
12-way Hybrid Male Connector	14
16-way Female Connector	15
16-way Male Connector	16
38-way Female Connector	17
38-way Male Connector	18
42-way Female Connector	19
42-way Male Connector	20
76-way Female Connector	21
76-way Male Connector	22
Terminals and Cavity Plugs	23

PKC Group

PKC Group is a global leader in the design, development, and production of high-quality, cost-effective wiring systems, components, and electronics for the commercial vehicle, automotive, agricultural, construction, recreational, energy, and industrial electronics industries.

Wiring Systems:

From a single wire harness to an entire Electrical Distribution System (EDS), PKC delivers power where and when you need it.

System integrity is consistently achieved through architecture optimization, proven change control processes, and the vertical integration of key PKC brand components into the EDS design, including:

- **Power Distribution Centers**
- **Connector Systems**
- **Terminal Systems**
- **Routing and Retention Aids**
- **Wire and Cable**

Specializing in the design and customization of unique products with demanding requirements, PKC is capable of providing a wide range of EDS support, from full service supplier to build to print provider.

Electronics:

PKC Electronics provides complete support, from design and development to production, of customized electronics.

Through operational excellence, PKC consistently reduces customer costs while extending product life cycles. With strategically placed facilities around the globe, PKC offers a wide range of customizable products and services, including:

- **Smart Power Distribution Centers**
- **Electronic Control Units**
- **DC to DC Converters**
- **Battery Management**
- **Custom Testing Aids for Electronic Devices**
- **Contract Manufacturing**

Together, PKC Wiring Systems and Electronics divisions offer a fully integrated Electrical and Electronics Distribution System (EDS) provider to our customers.

Connection Systems:

PKC offers a wide selection of connection systems to meet the needs of automotive, commercial vehicle, and recreational vehicle applications. PKC offers sealed and unsealed connectors in a variety of terminal sizes and configurations.

Extensive experience in the design and development of connection systems allow PKC to satisfy customer requirements for off the shelf products as well as custom designed systems.

There are many advantages to PKC connection systems, including:

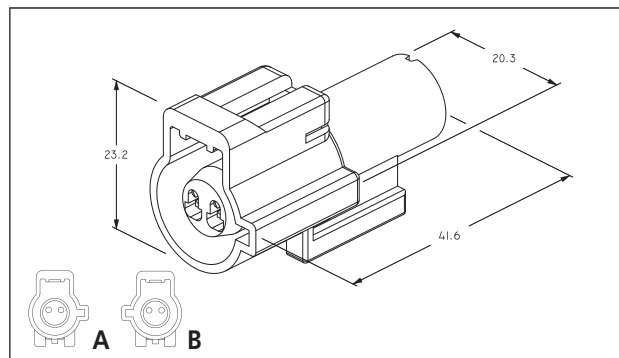
- Manufactured for Class 3 environment (-40°C/+135°C) regardless of application
- Front Loaded terminal position assurance (TPA) to prevent false lock conditions
- Optional connector position assurance (CPA) ensures alignment
- Commercial and severe service application validation
- Low insertion force requirements
- Choice of colors and polarizations
- Optional vehicle attachment retainers for secure fastening

PKC connection systems are designed to meet or exceed all OEM and USCAR vehicle assembly requirements, including:

- Terminal-Connector Insertion/Extraction
- Miscellaneous Component Engage/Disengage Force/Audible Click
- Connector-Connector Mating/Un-mating
- Polarization Effectiveness
- Drop
- Cavity Damage
- Header Pin Retention
- Mounting Feature Mechanical Strength
- Vibration/Mechanical/Thermal Shock
- Temperature/Humidity Cycling
- High Temperature Exposure
- Fluid Resistance
- Temperature/Humidity-Submersion/Humidity-PV Leak



2-Way Female Connector



CONNECTOR ASSEMBLIES

BASE NUMBER	DESCRIPTION	POL	COLOR	NOTE
E-2304-XXX	2-way F	A	BLACK	
E-2322-XXX	2-way F	B	NATURAL	

CONNECTOR ASSY COMPONENTS

SUBCOMPONENT	REQUIRED/OPTION	POL	COLOR	NOTE
SLEEVE	REQ'D	A	BLACK	
		B	NATURAL	Also available in black
GROMMET	OPT	-	GRAY	2.41-3.18mm Finished Cable diameter
		-	BLUE	1.70-2.69mm Finished Cable diameter
		-	BROWN	1.19-2.69mm Finished Cable diameter
BACK CAP	OPT	-	NATURAL	
		-	BLACK	
RETAINER	OPT	-	NATURAL	Single tree, short (6.5mm hole) dimensions
		-		Single tree, long (6.5mm hole) dimensions
		-		Tree with anti-rotation post (6.5mm hole)
CPA	OPT	-	RED	

REQUIRED COMPONENTS

DESCRIPTION	REQUIRED/OPTION	POL	COLOR	NOTE
TPA	REQ'D	-	RED	Sold separately

REFERENCE COMPONENTS

DESCRIPTION	QTY	NOTE
TERMINALS, 1.6mm Female	2 max	See page 23
CAVITY PLUG	2 max	See page 23

MATING COMPONENTS

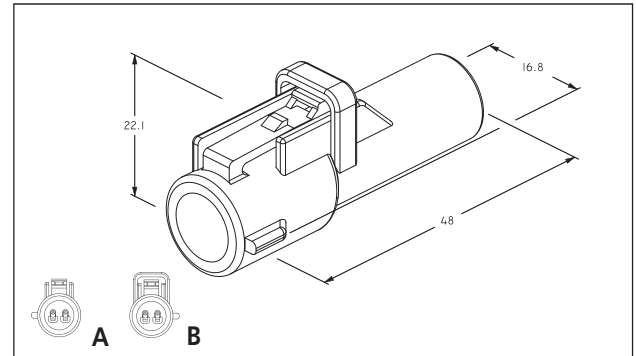
BASE NUMBER	DESCRIPTION	POL	COLOR	NOTE
E-2355-XXX	2-way M	A	BLACK	2-way male connector
E-2356-XXX	2-way M	B	NATURAL	2-way male connector. Also available in black
MALE PLUG	-	A	BLACK	Male connector with all holes blocked
MALE PLUG	-	B	NATURAL	Male connector with all holes blocked

NOTES:

Connector is available in sealed and unsealed configurations.

Unused terminal cavities must be filled with cavity plugs or ordered with grommets with blocked holes.

2-Way Male Connector



CONNECTOR ASSEMBLIES

BASE NUMBER	DESCRIPTION	POL	COLOR	NOTE
E-2355-XXX	2-way M	A	BLACK	
E-2356-XXX	2-way M	B	NATURAL	

CONNECTOR ASSY COMPONENTS

SUBCOMPONENT	REQUIRED/OPTION	POL	COLOR	NOTE
SLEEVE	REQ'D	A	BLACK	
		B	NATURAL	Also available in black
GROMMET	OPT	-	GRAY	2.41-3.18mm Finished Cable diameter
		-	BLUE	1.70-2.69mm Finished Cable diameter
		-	BROWN	1.19-2.69mm Finished Cable diameter
BACK CAP	OPT	-	NATURAL	
		-	BLACK	
INTERFACIAL SEAL	REQ'D	-	RED	

REQUIRED COMPONENTS

DESCRIPTION	REQUIRED/OPTION	POL	COLOR	NOTE
TPA	REQ'D	-	RED	Sold separately

REFERENCE COMPONENTS

DESCRIPTION	POL	QTY	NOTE
TERMINALS, 1.6mm Male	-	2 max	See page 23
CAVITY PLUG	-	2 max	See page 23

MATING COMPONENTS

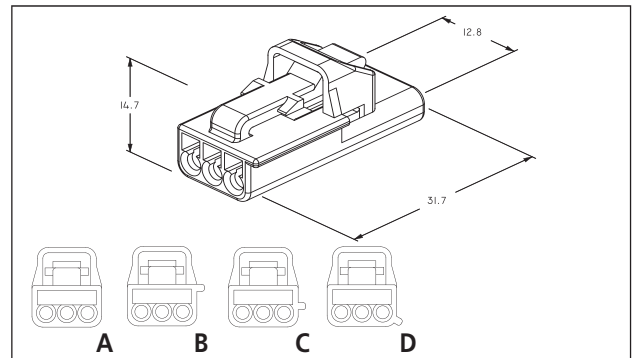
BASE NUMBER	DESCRIPTION	POL	COLOR	NOTE
E-2304-XXX	2-way F	A	BLACK	2-way female connector
E-2322-XXX	2-way F	B	NATURAL	2-way female connector. Also available in black
FEMALE CAP	-	A/B	BLACK	May be ordered with retainer

NOTES:

Connector is available in sealed and unsealed configurations.

Unused terminal cavities must be filled with cavity plugs or ordered with grommets with blocked holes.

3-Way Female Connector



CONNECTOR ASSEMBLIES

BASE NUMBER	DESCRIPTION	POL	COLOR	NOTE
R65475-XXX	3-way F	A	BLACK	
R65475-XXX	3-way F	A	YELLOW	
R65475-XXX	3-way F	B	GRAY	
R65475-XXX	3-way F	C	BLUE	
R65475-XXX	3-way F	D	BROWN	

REQUIRED COMPONENTS

DESCRIPTION	REQUIRED/OPTION		COLOR	NOTE
TPA	REQ'D	-	RED	Sold separately

REFERENCE COMPONENTS

DESCRIPTION		QTY	NOTE
TERMINALS, 1.6mm Female	-	3 max	See page 23

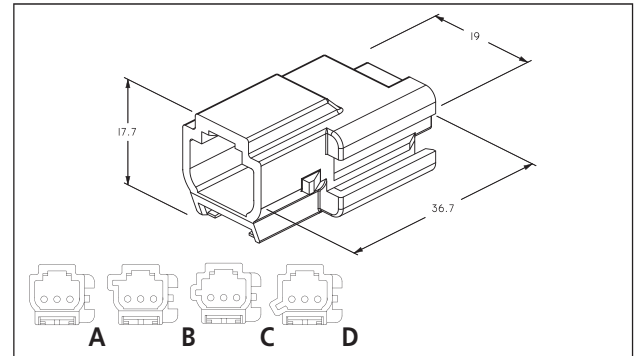
MATING COMPONENTS

BASE NUMBER	DESCRIPTION	POL	COLOR	NOTE
R65476-XXX	3-way M	A	BLACK	With shorting bar
R65476-XXX	3-way M	A	YELLOW	With shorting bar
R65476-XXX	3-way M	B	GRAY	With shorting bar
R65476-XXX	3-way M	C	BLUE	With shorting bar
R65476-XXX	3-way M	D	BROWN	With shorting bar

NOTES:

Connector is only available in an unsealed configuration.

3-Way Male Connector



CONNECTOR ASSEMBLIES

BASE NUMBER	DESCRIPTION	POL	COLOR	NOTE
R65476-XXX	3-way M	A	BLACK	Includes shorting bar
R65476-XXX	3-way M	A	YELLOW	Includes shorting bar
R65476-XXX	3-way M	B	GRAY	Includes shorting bar
R65476-XXX	3-way M	C	BLUE	Includes shorting bar
R65476-XXX	3-way M	D	BROWN	Includes shorting bar

CONNECTOR ASSY COMPONENTS

SUBCOMPONENT	REQUIRED/OPTION	POL	COLOR	NOTE
SLEEVE	REQ'D	A	BLACK	
		A	YELLOW	
		B	GRAY	
		C	BLUE	
		D	BROWN	
SHORTING BAR	OPT	-	-	
RETAINER	OPT	-	NATURAL	Single tree, short (6.5mm hole) dimensions
				Single tree, long (6.5mm hole) dimensions
				Tree with anti-rotation post (6.5mm hole)

REQUIRED COMPONENTS

DESCRIPTION	REQUIRED/OPTION	POL	COLOR	NOTE
TPA	REQ'D	-	RED	Sold separately

REFERENCE COMPONENTS

DESCRIPTION	POL	QTY	NOTE
TERMINALS, 1.6mm Male	-	3 max	See page 23

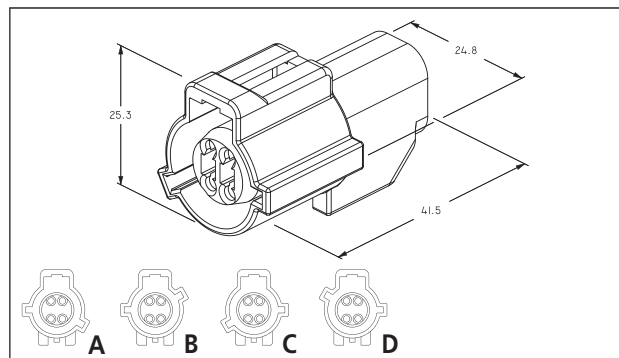
MATING COMPONENTS

BASE NUMBER	DESCRIPTION	POL	COLOR	NOTE
R65475-XXX	3-way F	A	BLACK	
R65475-XXX	3-way F	A	YELLOW	
R65475-XXX	3-way F	B	GRAY	
R65475-XXX	3-way F	C	BLUE	
R65475-XXX	3-way F	D	BROWN	

NOTES:

Connector is only available in an unsealed configuration.

4-Way Female Connector



CONNECTOR ASSEMBLIES

BASE NUMBER	DESCRIPTION	POL	COLOR	NOTE
R65478-XXX	4-way F	A	BLACK	Also available in brown and blue
R65478-XXX	4-way F	B	GRAY	Also available in natural
R65478-XXX	4-way F	C	NATURAL	Also available in purple
R65478-XXX	4-way F	D	GREEN	

CONNECTOR ASSY COMPONENTS

SUBCOMPONENT	REQUIRED/OPTION	POL	COLOR	NOTE
SLEEVE	REQ'D	A	BLACK	Also available in brown and blue
		B	GRAY	Also available in natural
		C	NATURAL	Also available in purple
		D	GREEN	
GROMMET	OPT	-	GRAY	2.41-3.18mm Finished Cable diameter
			BLUE	1.70-2.69mm Finished Cable diameter
			BROWN	1.19-2.70mm Finished Cable diameter
BACK CAP	OPT	-	NATURAL	
RETAINER	OPT	-	NATURAL	Single tree, short (6.5mm hole) dimensions
				Single tree, long (7.95mm hole) dimensions
				Tree with anti-rotation post (6.5mm hole)
CPA	OPT	-	RED	

REQUIRED COMPONENTS

DESCRIPTION	REQUIRED/OPTION	POL	COLOR	NOTE
TPA	REQ'D	-	RED	Sold separately

REFERENCE COMPONENTS

DESCRIPTION	POL	QTY	NOTE
TERMINALS, 1.6mm Female	-	4 max	See page 23
CAVITY PLUG	-	4 max	See page 23

MATING COMPONENTS

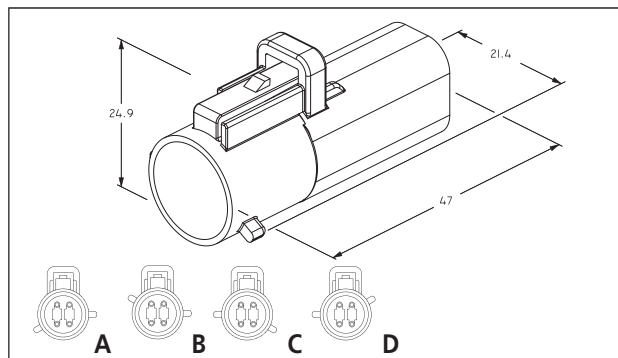
BASE NUMBER	DESCRIPTION	POL	COLOR	NOTE
R65479-XXX	4-way M	A	BLACK	Also available in brown and blue
R65479-XXX	4-way M	B	GRAY	Also available in natural
R65479-XXX	4-way M	C	NATURAL	Also available in purple
R65479-XXX	4-way M	D	GREEN	
MALE PLUG	-	A	BLACK	Male connector with all holes blocked
MALE PLUG	-	B	GRAY	Male connector with all holes blocked
MALE PLUG	-	C	NATURAL	Male connector with all holes blocked
MALE PLUG	-	D	GREEN	Male connector with all holes blocked

NOTES:

Connector is available in sealed and unsealed configurations.

Unused terminal cavities must be filled with cavity plugs or ordered with grommets with blocked holes.

4-Way Male Connector



CONNECTOR ASSEMBLIES

BASE NUMBER	DESCRIPTION	POL	COLOR	NOTE
R65479-XXX	4-way M	A	BLACK	Also available in brown and blue
R65479-XXX	4-way M	B	GRAY	Also available in natural
R65479-XXX	4-way M	C	NATURAL	Also available in purple
R65479-XXX	4-way M	D	GREEN	

CONNECTOR ASSY COMPONENTS

SUBCOMPONENT	REQUIRED/OPTION	POL	COLOR	NOTE
SLEEVE	REQ'D	A	BLACK	Also available in brown and blue
		B	GRAY	Also available in natural
		C	NATURAL	Also available in purple
		D	GREEN	
GROMMET	OPT	-	GRAY	2.41-3.18mm Finished Cable diameter
			BLUE	1.70-2.69mm Finished Cable diameter
			BROWN	1.19-2.70mm Finished Cable diameter
BACK CAP	OPT	-	NATURAL	
INTERFACIAL SEAL	REQ'D	-	RED	

REQUIRED COMPONENTS

DESCRIPTION	REQUIRED/OPTION	POL	COLOR	NOTE
TPA	REQ'D	-	RED	Sold separately

REFERENCE COMPONENTS

DESCRIPTION	POL	QTY	NOTE
TERMINALS, 1.6mm Male	-	4 max	See page 23
CAVITY PLUG	-	4 max	See page 23

MATING COMPONENTS

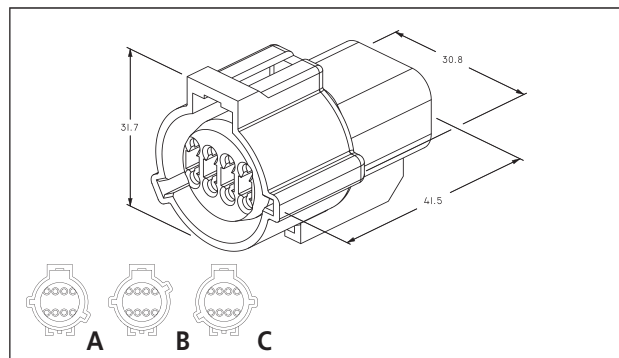
BASE NUMBER	DESCRIPTION	POL	COLOR	NOTE
R65478-XXX	4-way F	A	BLACK	Also available in brown and blue
R65478-XXX	4-way F	B	GRAY	Also available in natural
R65478-XXX	4-way F	C	NATURAL	Also available in purple
R65478-XXX	4-way F	D	GREEN	
FEMALE CAP	-	A/B/C/D	BLACK	May be ordered with retainer

NOTES:

Connector is available in sealed and unsealed configurations.

Unused terminal cavities must be filled with cavity plugs or ordered with grommets with blocked holes.

8-Way Female Connector



CONNECTOR ASSEMBLIES

BASE NUMBER	DESCRIPTION	POL	COLOR	NOTE
R65480-XXX	8-way F	A	BLACK	Also available in natural and blue
R65480-XXX	8-way F	B	GRAY	Also available in brown and green
R65480-XXX	8-way F	C	NATURAL	

CONNECTOR ASSY COMPONENTS

SUBCOMPONENT	REQUIRED/OPTION	POL	COLOR	NOTE
SLEEVE	REQ'D	A	BLACK	Also available in natural and blue
		B	GRAY	Also available in brown and green
		C	NATURAL	
GROMMET	OPT	-	GRAY	2.15-2.95mm Finished Cable diameter
			BLUE	1.70-2.69mm Finished Cable diameter
			BROWN	1.19-2.70mm Finished Cable diameter
BACK CAP	OPT	-	NATURAL	
			BLACK	
RETAINER	OPT	-	NATURAL	Single tree, short (6.5mm hole) dimensions
				Single tree, long (7.95mm hole) dimensions
				Tree with anti-rotation post (6.5mm hole)
CPA	OPT	-	RED	

REQUIRED COMPONENTS

DESCRIPTION	REQUIRED/OPTION	POL	COLOR	NOTE
TPA	REQ'D	-	RED	Sold separately

REFERENCE COMPONENTS

DESCRIPTION	POL	QTY	NOTE
TERMINALS, 1.6mm Female	-	8 max	See page 23
CAVITY PLUG	-	8 max	See page 23

MATING COMPONENTS

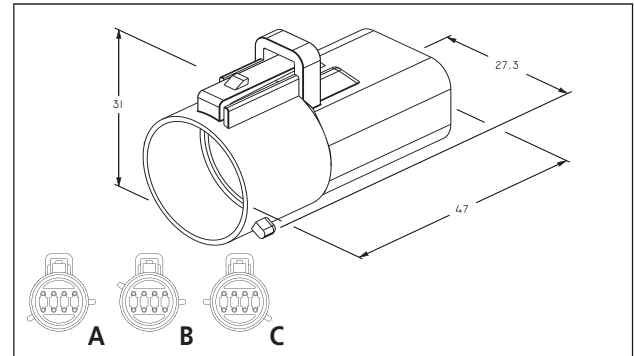
BASE NUMBER	DESCRIPTION	POL	COLOR	NOTE
R65481-XXX	8-way M	A	BLACK	
R65481-XXX	8-way M	B	GRAY	
R65481-XXX	8-way M	C	NATURAL	
MALE PLUG	-	A	BLACK	Male connector with all holes blocked
MALE PLUG	-	B	GRAY	Male connector with all holes blocked
MALE PLUG	-	C	NATURAL	Male connector with all holes blocked

NOTES:

Connector is available in sealed and unsealed configurations.

Unused terminal cavities must be filled with cavity plugs or ordered with grommets with blocked holes.

8-Way Male Connector



CONNECTOR ASSEMBLIES

BASE NUMBER	DESCRIPTION	POL	COLOR	NOTE
R65481-XXX	8-way M	A	BLACK	Also available in natural and blue.
R65481-XXX	8-way M	B	GRAY	Also available in brown and green.
R65481-XXX	8-way M	C	NATURAL	

CONNECTOR ASSY COMPONENTS

SUBCOMPONENT	REQUIRED/OPTION	POL	COLOR	NOTE
SLEEVE	REQ'D	A	BLACK	Also available in natural and blue.
		B	GRAY	Also available in brown and green.
		C	NATURAL	
GROMMET	OPT	-	GRAY	2.15-2.95mm Finished Cable diameter
			BLUE	1.70-2.69mm Finished Cable diameter
			BROWN	1.19-2.70mm Finished Cable diameter
BACK CAP	OPT	-	NATURAL	
			BLACK	
INTERFACIAL SEAL	REQ'D	-	RED	

REQUIRED COMPONENTS

DESCRIPTION	REQUIRED/OPTION	POL	COLOR	NOTE
TPA	REQ'D	-	RED	Sold separately

REFERENCE COMPONENTS

DESCRIPTION		QTY	NOTE
TERMINALS, 1.6mm Male	-	8 max	See page 23
CAVITY PLUG	-	8 max	See page 23

MATING COMPONENTS

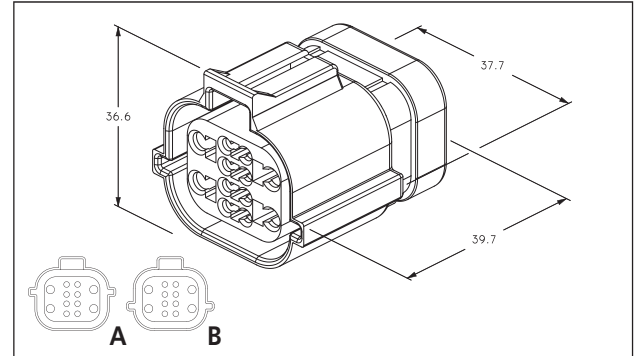
BASE NUMBER	DESCRIPTION	POL	COLOR	NOTE
R65480-XXX	8-way F	A	BLACK	
R65480-XXX	8-way F	B	GRAY	
R65480-XXX	8-way F	C	NATURAL	
FEMALE CAP	-	A/B/C	BLACK	May be ordered with retainer

NOTES:

Connector is available in sealed and unsealed configurations.

Unused terminal cavities must be filled with cavity plugs or ordered with grommets with blocked holes.

12-Way Hybrid Female Connector



CONNECTOR ASSEMBLIES

BASE NUMBER	DESCRIPTION	POL	COLOR	NOTE
E-1258-XXX	12-way F	A	BLACK	
E-2264-XXX	12-way F	B	GRAY	

CONNECTOR ASSY COMPONENTS

SUBCOMPONENT	REQUIRED/OPTION	POL	COLOR	NOTE
SLEEVE	REQ'D	A	BLACK	Also available in Green
		B	GRAY	
GROMMET	OPT	-	BLUE	1.70-2.70mm for 1.6mm terminals 1.88-4.05mm for 2.8mm terminals
		-	BROWN	1.40-2.70mm for 1.6mm terminals 1.90-3.30mm for 2.8mm terminals
BACK CAP	REQ'D	-	BLACK	
INTERFACIAL SEAL	REQ'D	-	GREEN	
RETAINER	OPT	-	NATURAL	Single tree, short (6.5mm hole) dimensions
				Single tree, long (7.95mm hole) dimensions
				Tree with anti-rotation post (6.5mm hole)

REQUIRED COMPONENTS

DESCRIPTION	REQUIRED/OPTION	POL	COLOR	NOTE
TPA	REQ'D	-	RED	Sold separately

REFERENCE COMPONENTS

DESCRIPTION	POL	QTY	NOTE
TERMINALS, 1.6mm Female	-	8 max	See page 23
TERMINALS, 2.8mm Female	-	4 max	See page 23
CAVITY PLUG, 1.6mm	-	8 max	See page 23
CAVITY PLUG, 2.8mm	-	4 max	See page 23

MATING COMPONENTS

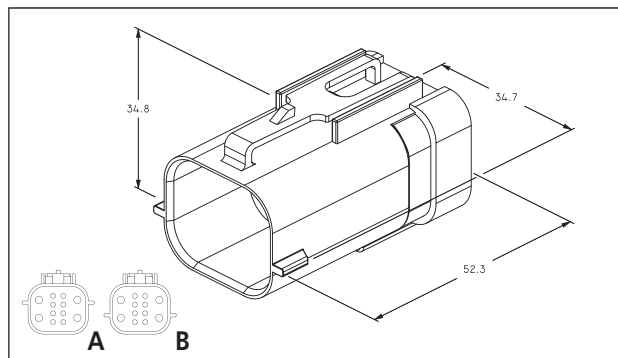
BASE NUMBER	DESCRIPTION	POL	COLOR	NOTE
E-1587-XXX	12-way M	A	BLACK	
E-2263-XXX	12-way M	B	GRAY	
MALE PLUG	-	A	BLACK	Male connector with all holes blocked
MALE PLUG	-	B	GRAY	Male connector with all holes blocked

NOTES:

Connector is available in sealed and unsealed configurations.

When sealing is required, unused terminal cavities must be filled with cavity plugs, dummy circuits or ordered with a punched back cap.

12-Way Hybrid Male Connector



CONNECTOR ASSEMBLIES

BASE NUMBER	DESCRIPTION	POL	COLOR	NOTE
E-1587-XXX	12-way M	A	BLACK	
E-2263-XXX	12-way M	B	GRAY	

CONNECTOR ASSY COMPONENTS

SUBCOMPONENT	REQUIRED/OPTION	POL	COLOR	NOTE
SLEEVE	REQ'D	A	BLACK	Also available in Green
		B	GRAY	
GROMMET	OPT	-	BLUE	1.70-2.70mm for 1.6mm terminals
			1.88-4.05mm for 2.8mm terminals	
		BROWN	1.40-2.70mm for 1.6mm terminals	
				1.90-3.30mm for 2.8mm terminals
BACK CAP	REQ'D	-	BLACK	
RETAINER	OPT	-	NATURAL	Single tree, short (6.5mm hole) dimensions
				Single tree, long (7.95mm hole) dimensions
				Tree with anti-rotation post (6.5mm hole)

REQUIRED COMPONENTS

DESCRIPTION	REQUIRED/OPTION	POL	COLOR	NOTE
TPA	REQ'D	-	RED	Sold separately

REFERENCE COMPONENTS

DESCRIPTION		QTY	NOTE
TERMINALS, 1.6mm Male	-	8 max	See page 23
TERMINALS, 2.8mm Male	-	4 max	See page 23
CAVITY PLUG, 1.6mm	-	8 max	See page 23
CAVITY PLUG, 2.8mm	-	4 max	See page 23

MATING COMPONENTS

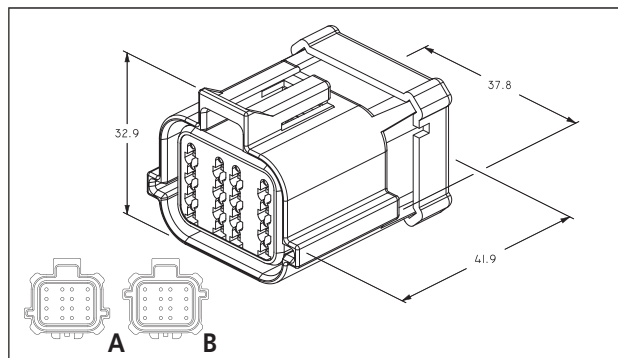
BASE NUMBER	DESCRIPTION	POL	COLOR	NOTE
E-1258-XXX	12-way F	A	BLACK	
E-2264-XXX	12-way F	B	GRAY	
FEMALE PLUG	-	A	BLACK	Female connector with all holes blocked
FEMALE PLUG	-	B	GRAY	Female connector with all holes blocked

NOTES:

Connector is available in sealed and unsealed configurations.

When sealing is required, unused terminal cavities must be filled with cavity plugs, dummy circuits or ordered with a punched back cap.

16-Way Female Connector



CONNECTOR ASSEMBLIES

BASE NUMBER	DESCRIPTION	POL	COLOR	NOTE
E-5168-XXX	16-way F	A	BLACK	
E-5168-XXX	16-way F	B	GRAY	

CONNECTOR ASSY COMPONENTS

SUBCOMPONENT	REQUIRED/OPTION	POL	COLOR	NOTE
SLEEVE	REQ'D	A	BLACK	
		B	GRAY	
GROMMET	OPT	-	BLUE	1.70-2.69mm Finished Cable diameter
		-	BROWN	1.40-2.70mm Finished Cable diameter
BACK CAP	REQ'D	-	BLACK	
INTERFACIAL SEAL	REQ'D	-	GREEN	
RETAINER	OPT	-	NATURAL	Single tree, short (6.5mm hole) dimensions
				Single tree, long (7.95mm hole) dimensions
				Tree with anti-rotation post (6.5mm hole)
CPA	OPT	-	RED	

REQUIRED COMPONENTS

DESCRIPTION	REQUIRED/OPTION	POL	COLOR	NOTE
TPA	REQ'D	-	RED	Sold separately

REFERENCE COMPONENTS

DESCRIPTION	POL	QTY	NOTE
TERMINALS, 1.6mm Female	-	16 max	See page 23
CAVITY PLUG	-	16 max	See page 23

MATING COMPONENTS

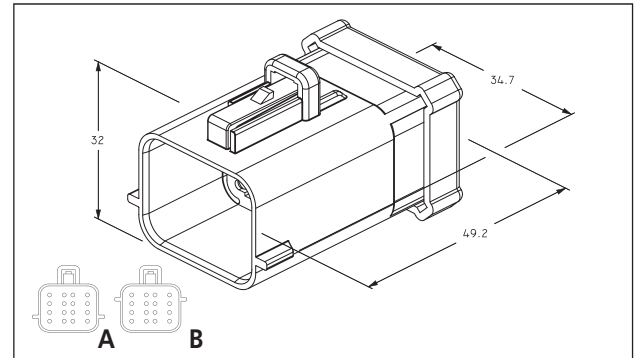
BASE NUMBER	DESCRIPTION	POL	COLOR	NOTE
E-5162-XXX	16-way M	A	BLACK	
E-5162-XXX	16-way M	B	GRAY	
MALE PLUG	-	A	BLACK	Male connector with all holes blocked
MALE PLUG	-	B	GRAY	Male connector with all holes blocked

NOTES:

Connector is available in sealed and unsealed configurations.

When sealing is required, unused terminal cavities must be filled with cavity plugs, dummy circuits or ordered with a punched back cap.

16-Way Male Connector



CONNECTOR ASSEMBLIES

BASE NUMBER	DESCRIPTION	POL	COLOR	NOTE
E-5162-XXX	16-way M	A	BLACK	
E-5162-XXX	16-way M	B	GRAY	

CONNECTOR ASSY COMPONENTS

SUBCOMPONENT	REQUIRED/OPTION	POL	COLOR	NOTE
SLEEVE	REQ'D	A	BLACK	
		B	GRAY	
GROMMET	OPT	-	BLUE	1.70-2.69mm Finished Cable diameter
		-	BROWN	1.40-2.70mm Finished Cable diameter
BACK CAP	REQ'D	-	BLACK	
RETAINER	OPT	-	NATURAL	Single tree, short (6.5mm hole) dimensions
				Single tree, long (7.95mm hole) dimensions
				Tree with anti-rotation post (6.5mm hole)

REQUIRED COMPONENTS

DESCRIPTION	REQUIRED/OPTION	POL	COLOR	NOTE
TPA	REQ'D	-	RED	Sold separately

REFERENCE COMPONENTS

DESCRIPTION	QTY	NOTE
TERMINALS, 1.6mm Male	16 max	See page 23
CAVITY PLUG	16 max	See page 23

MATING COMPONENTS

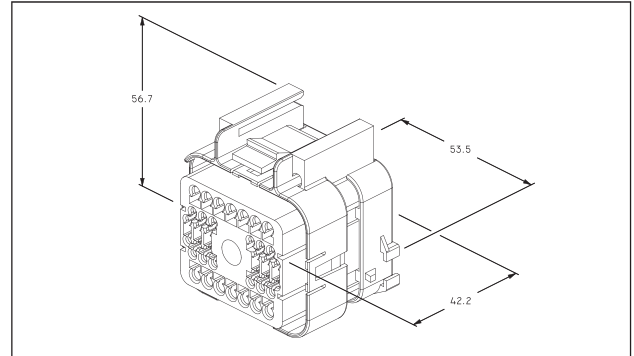
BASE NUMBER	DESCRIPTION	POL	COLOR	NOTE
E-5168-XXX	16-way F	A	BLACK	
E-5168-XXX	16-way F	B	GRAY	
FEMALE PLUG	-	A	BLACK	Female connector with all holes blocked
FEMALE PLUG	-	B	GRAY	Female connector with all holes blocked

NOTES:

Connector is available in sealed and unsealed configurations.

When sealing is required, unused terminal cavities must be filled with cavity plugs, dummy circuits or ordered with a punched back cap.

38-Way Hybrid Female Connector



CONNECTOR ASSEMBLIES

BASE NUMBER	DESCRIPTION	POL	COLOR	NOTE
E-5144-XXX	38-way F	-	GRAY	

CONNECTOR ASSY COMPONENTS

SUBCOMPONENT	REQUIRED/OPTION	POL	COLOR	NOTE
SLEEVE	REQ'D	-	GRAY	
GROMMET	OPT	-	GREEN	1.70-2.69mm Finished Cable diameter
BACK CAP	REQ'D	-	GRAY	Back cap may be ordered with punched hole configurations
INTERFACIAL SEAL	REQ'D	-	RED	
INSERT NUT	REQ'D	-	-	

REQUIRED COMPONENTS

DESCRIPTION	REQUIRED/OPTION	POL	COLOR	NOTE
TPA	REQ'D	-	RED	2 required, sold separately
TPA	REQ'D	-	RED	1 required, sold separately

REFERENCE COMPONENTS

DESCRIPTION	QTY	COLOR	NOTE
TERMINALS, 1.6mm Female	26 max	-	See page 23
TERMINALS, 2.8mm Female	12 max	-	See page 23
CAVITY PLUG, 1.6mm	26 max	NATURAL	See page 23
CAVITY PLUG, 2.8mm	12 max	RED	See page 23
WIRE DRESS	-	BLACK	Multiple Options Available

MATING COMPONENTS

BASE NUMBER	DESCRIPTION	POL	COLOR	NOTE
E-5139-XXX	38-way M	-	GRAY	

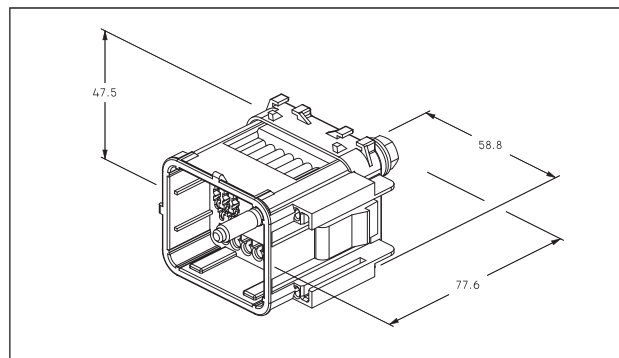
NOTES:

Connector is available in sealed and unsealed configurations.

When sealing is required, unused terminal cavities must be filled with cavity plugs, dummy circuits or ordered with a punched back cap.

Connector may be mounted on a bracket tab.

38-Way Hybrid Male Connector



CONNECTOR ASSEMBLIES

BASE NUMBER	DESCRIPTION	POL	COLOR	NOTE
E-5139-XXX	38-way M	-	GRAY	

CONNECTOR ASSY COMPONENTS

SUBCOMPONENT	REQUIRED/OPTION	POL	COLOR	NOTE
SLEEVE	REQ'D	-	GRAY	
GROMMET	OPT	-	GREEN	1.70-2.69mm Finished Cable diameter
BACK CAP	REQ'D	-	GRAY	Back cap may be ordered with punched hole configurations
BOLT	REQ'D	-	-	
RETAINER NUT	REQ'D	-	-	
O-RING	REQ'D	-	RED	

REQUIRED COMPONENTS

DESCRIPTION	REQUIRED/OPTION	POL	COLOR	NOTE
TPA	REQ'D	-	RED	2 required, sold separately
TPA	REQ'D	-	RED	1 required, sold separately

REFERENCE COMPONENTS

DESCRIPTION	QTY	COLOR	NOTE
TERMINALS, 1.6mm Male	26 max	-	See page 23
TERMINALS, 2.8mm Male	12 max	-	See page 23
CAVITY PLUG, 1.6mm	26 max	NATURAL	See page 23
CAVITY PLUG, 2.8mm	12 max	RED	See page 23
WIRE DRESS	-	BLACK	Multiple Options Available

MATING COMPONENTS

BASE NUMBER	DESCRIPTION	POL	COLOR	NOTE
E-5144-XXX	38-way F	-	GRAY	

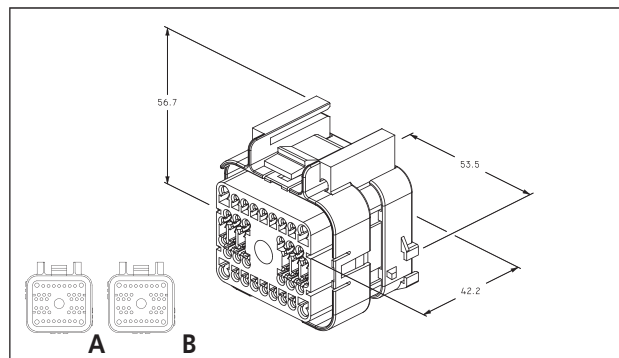
NOTES:

Connector is available in sealed and unsealed configurations.

When sealing is required, unused terminal cavities must be filled with cavity plugs, dummy circuits or ordered with a punched back cap.

Connector may be mounted on a bracket tab.

42-Way Hybrid Female Connector



CONNECTOR ASSEMBLIES

BASE NUMBER	DESCRIPTION	POL	COLOR	NOTE
E-5057-XXX	42-way F	A	BLACK	
E-5063-XXX	42-way F	B	BROWN	

CONNECTOR ASSY COMPONENTS

SUBCOMPONENT	REQUIRED/OPTION	POL	COLOR	NOTE
SLEEVE	REQ'D	A	BLACK	
		B	BROWN	
GROMMET	OPT	-	BLUE	1.70-2.69mm Finished Cable diameter
		-	BROWN	1.40-2.69mm for 1.6mm terminals
		-	BROWN	1.90-4.05mm for 2.8mm terminals
BACK CAP	REQ'D	A	BLACK	Back cap may be ordered with punched hole configurations
		B	BROWN	
INTERFACIAL SEAL	REQ'D	-	RED	
INSERT NUT	REQ'D	-	-	

REQUIRED COMPONENTS

DESCRIPTION	REQUIRED/OPTION	POL	COLOR	NOTE
TPA	REQ'D	-	RED	2 required, sold separately
TPA	REQ'D	-	RED	1 required, sold separately

REFERENCE COMPONENTS

DESCRIPTION	QTY	COLOR	NOTE
TERMINALS, 1.6mm Female	38 max		See page 23
TERMINALS, 2.8mm Female	4 max		See page 23
CAVITY PLUG, 1.6mm	38 max	NATURAL	See page 23
CAVITY PLUG, 2.8mm	4 max	RED	See page 23
WIRE DRESS	-	BLACK	Multiple Options Available

MATING COMPONENTS

BASE NUMBER	DESCRIPTION	POL	COLOR	NOTE
E-5051-XXX	42-way M	A	BLACK	
E-5060-XXX	42-way M	B	BROWN	

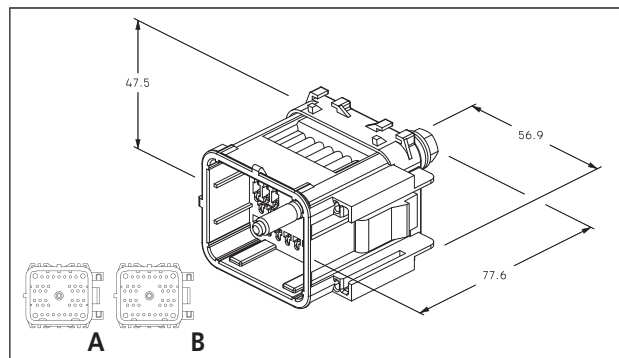
NOTES:

Connector is available in sealed and unsealed configurations.

When sealing is required, unused terminal cavities must be filled with cavity plugs, dummy circuits or ordered with a punched back cap.

Connector may be mounted on a bracket tab.

42-Way Hybrid Male Connector



CONNECTOR ASSEMBLIES

BASE NUMBER	DESCRIPTION	POL	COLOR	NOTE
E-5051-XXX	42-way M	A	BLACK	
E-5060-XXX	42-way M	B	BROWN	

CONNECTOR ASSY COMPONENTS

SUBCOMPONENT	REQUIRED/OPTION	POL	COLOR	NOTE
SLEEVE	REQ'D	A	BLACK	
		B	BROWN	
GROMMET	OPT	-	BLUE	1.70-2.69mm Finished Cable diameter
		-	BROWN	1.40-2.69mm for 1.6mm terminals
		-	BROWN	1.90-4.05mm for 2.8mm terminals
BACK CAP	REQ'D	A	BLACK	Back cap may be ordered with punched hole configurations
		B	BROWN	
BOLT	REQ'D	-	-	
RETAINER NUT	REQ'D	-	-	
O-RING	REQ'D	-	RED	

REQUIRED COMPONENTS

DESCRIPTION	REQUIRED/OPTION	POL	COLOR	NOTE
TPA	REQ'D	-	RED	2 required, sold separately
TPA	REQ'D	-	RED	1 required, sold separately

REFERENCE COMPONENTS

DESCRIPTION	QTY	COLOR	NOTE
TERMINALS, 1.6mm Male	38 max	-	See page 23
TERMINALS, 2.8mm Male	4 max	-	See page 23
CAVITY PLUG, 1.6mm	38 max	NATURAL	See page 23
CAVITY PLUG, 2.8mm	4 max	RED	See page 23
WIRE DRESS	-	BLACK	Multiple Options Available

MATING COMPONENTS

BASE NUMBER	DESCRIPTION	POL	COLOR	NOTE
E-5057-XXX	42-way F	A	BLACK	
E-5063-XXX	42-way F	B	BROWN	

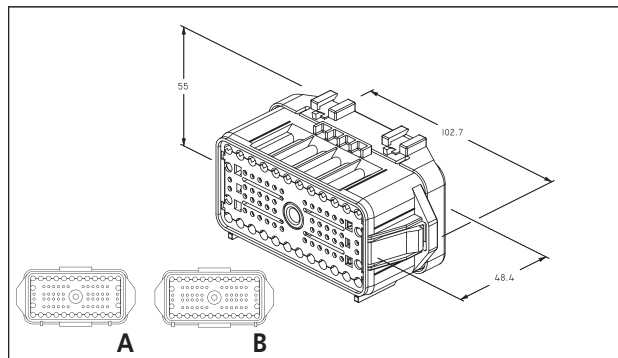
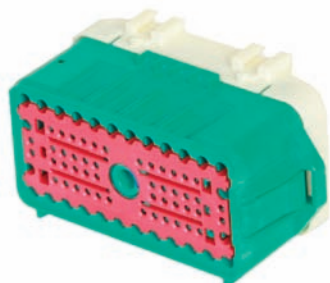
NOTES:

Connector is available in sealed and unsealed configurations.

When sealing is required, unused terminal cavities must be filled with cavity plugs, dummy circuits or ordered with a punched back cap.

Connector may be mounted on a bracket tab.

76-Way Hybrid Female Connector



CONNECTOR ASSEMBLIES

BASE NUMBER	DESCRIPTION	POL	COLOR	SHT MTL	NOTE
RE2287-003	76-way F	A	NATURAL	0.78-0.89mm	Typically used on light vehicle applications
RE2287-004		B	BLACK		
RE2460-001	76-way F	A	LT GREEN	1.85-2.10mm	Typically used on commercial vehicle applications
RE2460-002		B	DK GREEN		
RE2460-003		A	LT BROWN	2.10-2.35mm	
RE2460-004		B	DK BROWN		
RE2460-005		A	LT BLUE	2.35-2.60mm	
RE2460-006		B	DK BLUE		

CONNECTOR ASSY COMPONENTS

SUBCOMPONENT	DESCRIPTION	POL	COLOR	SHT MTL	NOTE
SLEEVE	REQ'D	A	NATURAL	0.78-0.89mm	Typically used on light vehicle applications
		B	BLACK		
		A	LT GREEN	1.85-2.10mm	Typically used on commercial vehicle applications
		B	DK GREEN		
		A	LT BROWN	2.10-2.35mm	
		B	DK BROWN		
		A	LT BLUE	2.35-2.60mm	
		B	DK BLUE		
GROMMET	OPT	-	BLUE	1.70-3.10mm	Finished Cable diameter
				2.54-4.57mm	Finished Cable diameter
BACK CAP	REQ'D	-	NATURAL		Back cap may be ordered with punched hole configurations
INSERT NUT	REQ'D	-	-		
TPA	REQ'D	-	RED		Sold separately

REFERENCE COMPONENTS

DESCRIPTION	QTY	COLOR	NOTE
TERMINALS, 1.6mm Female	48 max		See page 23
TERMINALS, 2.8mm Female	28 max		See page 23
CAVITY PLUG, 1.6mm	48 max	NATURAL	See page 23
CAVITY PLUG, 2.8mm	28 max	RED	See page 23
WIRE DRESS	-	BLACK	End Take Out
WIRE DRESS	-	BLACK	90° Take Out
WIRE DRESS	-	BLACK	Center Take Out

MATING COMPONENTS

BASE NUMBER	DESCRIPTION	POL	COLOR	NOTE
RE2254-003	76-way M	A	NATURAL	
RE2254-004		B	BLACK	

NOTES:

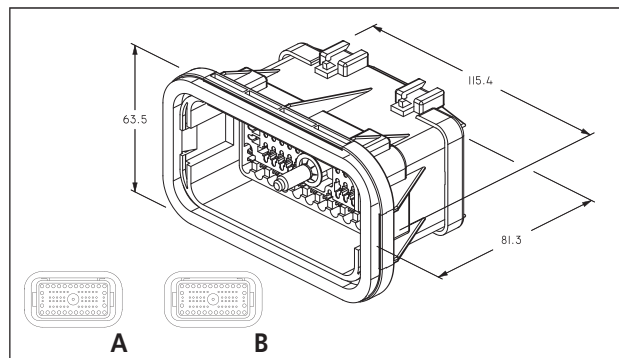
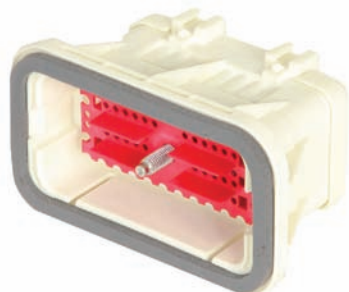
Connector is available in sealed and unsealed configurations.

When sealing is required, unused terminal cavities must be filled with cavity plugs, dummy circuits or ordered with a punched back cap.

Connector is typically mounted in the sheet metal bulkhead and located on the interior side.

Connector may be used with either a mating 76-way connector or the 68-way dual connector (components sold separately)

76-Way Hybrid Male Connector



CONNECTOR ASSEMBLIES

BASE NUMBER	DESCRIPTION	POL	COLOR	NOTE
RE2254-003	76-way M	A	NATURAL	
RE2254-004		B	BLACK	

CONNECTOR ASSY COMPONENTS

SUBCOMPONENT	REQUIRED/OPTION	POL	COLOR	NOTE
SLEEVE	REQ'D	A	NATURAL	Typically used on light vehicle applications
		B	BLACK	
GROMMET	OPT	-	BLUE	1.70-3.10mm Finished Cable diameter 2.54-4.57mm Finished Cable diameter
BACK CAP	REQ'D	-	NATURAL	Back cap may be ordered with punched hole configurations
GASKET	REQ'D	-	-	
BOLT	REQ'D	-	-	
RETAINER NUT	REQ'D	-	-	
O-RING	REQ'D	-	-	
TPA	REQ'D	-	RED	Sold separately

REFERENCE COMPONENTS

DESCRIPTION	QTY	COLOR	NOTE
TERMINALS, 1.6mm Male	48 max		See page 23
TERMINALS, 2.8mm Male	28 max		See page 23
CAVITY PLUG, 1.6mm	48 max	NATURAL	See page 23
CAVITY PLUG, 2.8mm	28 max	RED	See page 23
WIRE DRESS	-	BLACK	Side Take Out
WIRE DRESS	-	BLACK	End Take Out
WIRE DRESS	-	BLACK	90° End Take Out
WIRE DRESS	-	BLACK	45° End Take Out

MATING COMPONENTS

BASE NUMBER	DESCRIPTION	POL	COLOR	NOTE
RE2287-003	76-way F	A	NATURAL	Typically used on light vehicle applications
RE2287-004		B	BLACK	
RE2460-001	76-way F	A	LT GREEN	Typically used on commercial vehicle applications
RE2460-002		B	DK GREEN	
RE2460-003		A	LT BROWN	
RE2460-004		B	DK BROWN	
RE2460-005		A	LT BLUE	
RE2460-006		B	DK BLUE	

NOTES:

Connector is available in sealed and unsealed configurations.

When sealing is required, unused terminal cavities must be filled with cavity plugs, dummy circuits or ordered with a punched back cap.

Connector is typically mated to the female connector installed in the bulkhead, located on the exterior side.

Terminals and Cavity Plugs

TERMINAL SIZE	TERMINAL FAMILY	WIRE GA	MOLEX P/N	PLATING
1.6mm	MICROPIN-FEMALE (Greased)	18, 20	33088-0009	SN
		14,16	33230-0002	SN
		22	33088-0007	SN
	MICROPIN-FEMALE (not Greased)	18, 20	33115-0037	AU
		14,16	33115-0035	AU
		20, 22	33115-0032	AU
	MICROPIN-MALE	18, 20	33093-0009	SN
		14,16	33094-0001	SN
		22	33093-0007	SN
		18,20	33095-0026	AU
		14,16	33095-0029	AU
		22	33095-0023	AU
2.8mm	STANDARD-FEMALE (Greased)	18,20	33118-0002	SN
		14,16	33118-0005	SN
		10,12	33118-0008	SN
	STANDARD-MALE	18,20	33116-0001	SN
		14,16	33116-0003	SN
		10,12	33117-0001	SN

CAVITY PLUGS	DESCRIPTION	COLOR	PKC P/N
CAVITY PLUG	1.6mm Micropin	NATURAL	RE1800-001
CAVITY PLUG	2.8mm Standard pin	RED	RE1799-001